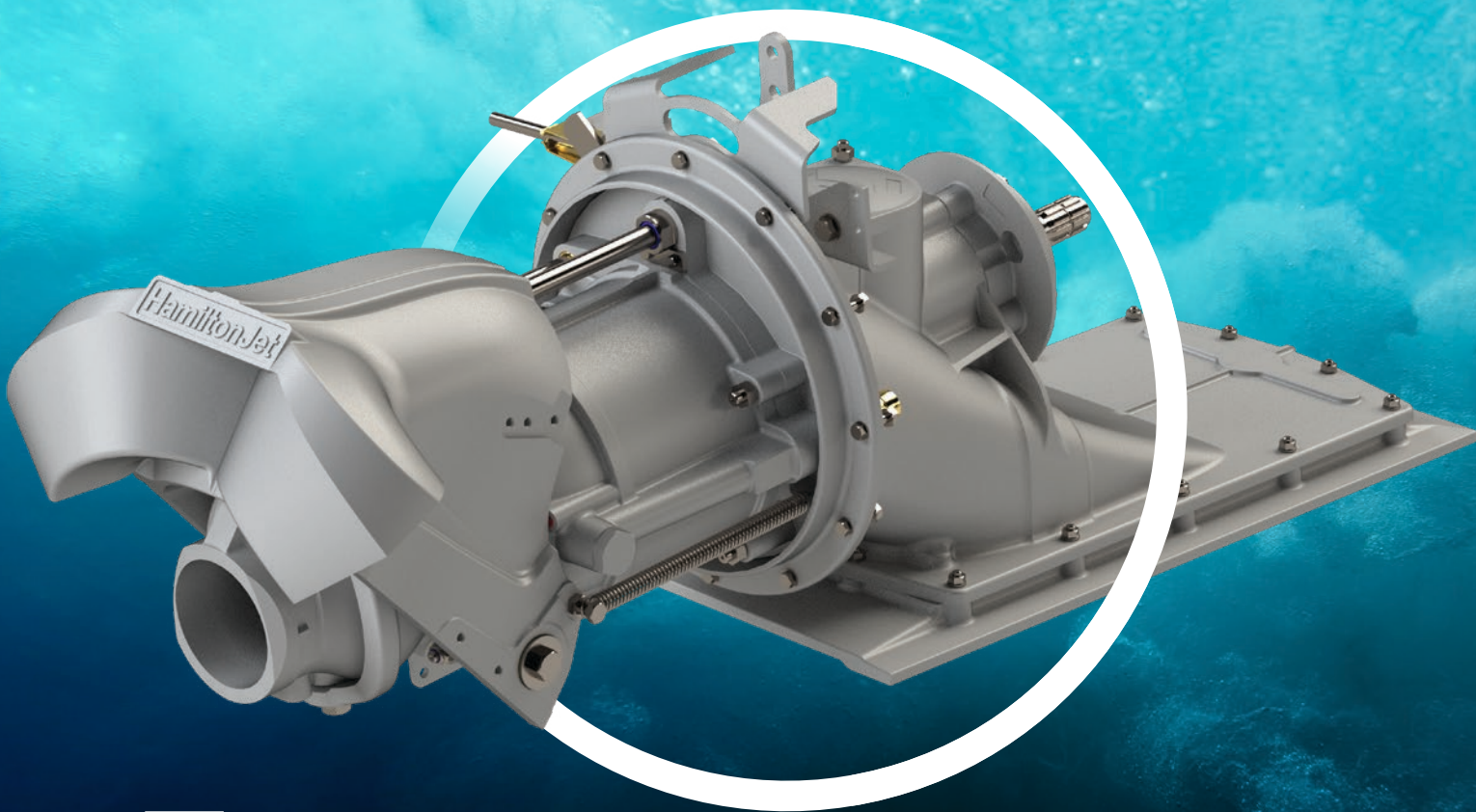


HJ214

SPECIFICATIONS




HamiltonJet

The Ultimate in Waterjet Sophistication

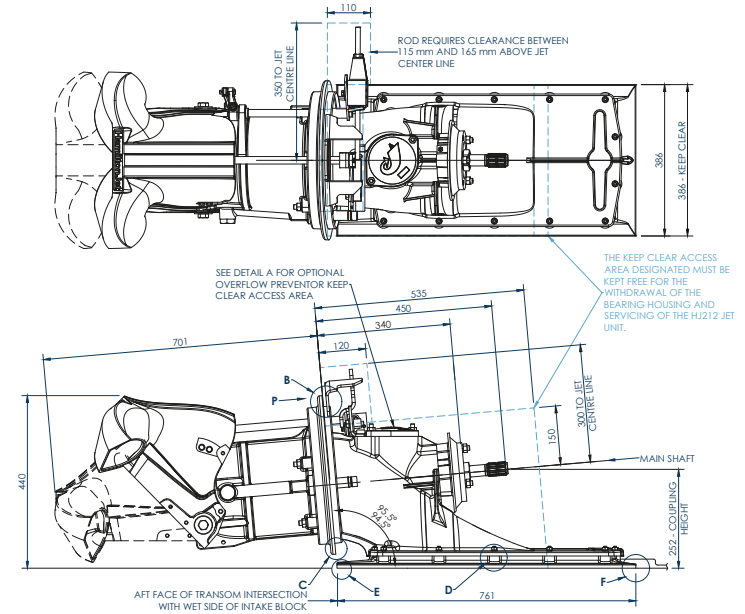
HJ214

SPECIFICATIONS

The HJ214 is designed to be the best all-round waterjet unit on the market, and is the ideal propulsion solution for a wide range of boats. Compact, lightweight, built for greater efficiency at high speeds, and now with the new TURBO2 impeller range and Trim Nozzle options, the HJ214 is setting the new standard.

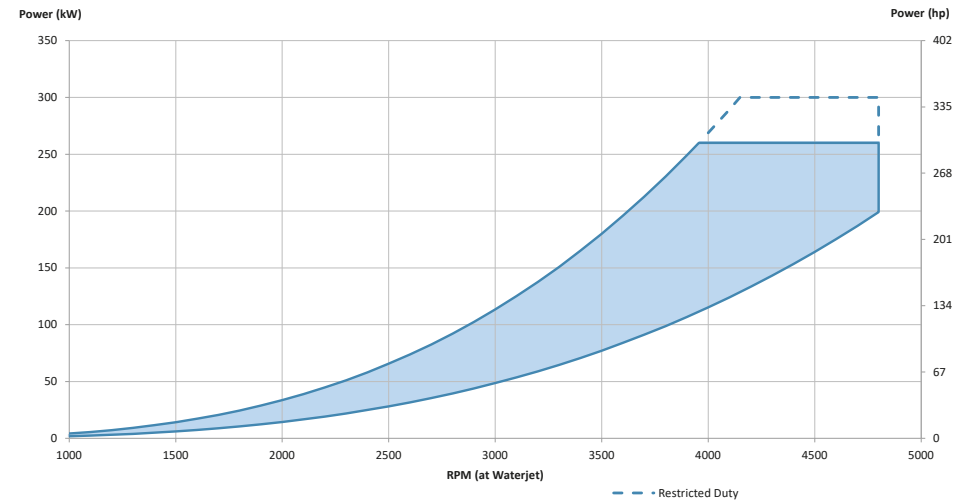
HJ214 features:

- Max Input Power: 260 kW / 349 hp
- Max Power (Restricted Duty): 300 kW/ 402 hp (TURBO2 Impellers up to T4.1 – Gasoline Engines only)
- Max RPM: 4800 rpm
- Max Speed: 50 Knots
- Jet Type: Axial Flow
- Jet Weight – Dry: 79 kg / 174 lbs
- Jet Weight – Dry: 82 kg / 181 lbs (With Trim Nozzle)
- Entrained Water: 20 kg / 44 lbs
- Intake Block Weight: 7 Kg / 15 Lbs
- Jet Construction: Marine Grade Aluminium / Duplex SS
- Shaft Angle: 5°
- NEW OPTION – Factory manufactured TURBO2 Impeller range
- NEW OPTION - Trim Nozzle $\pm 10^\circ$
- Improved Acceleration (hole shot) with new TURBO2 impeller
- Inboard footprint same as previous model
- Improved reverse duct design
- Better minimum speed
- Controls: Mechanical



IMPORTANT NOTES: The HJ214 dimensions shown above are Indicative and Preliminary dimensions only for initial design purposes, and subject to change without notice or obligation. Please consult with the factory before using these preliminary dimensions for final installation requirements as these may have changed. Waterjet selection is determined by a range of hull and operational factors, most importantly vessel size and displacement (weight), and not necessarily by matching the above specifications to the desired engine power/RPM curve. In all cases you should consult HamiltonJet for assistance with waterjet selection.

COMPONENT	MATERIAL	STANDARD
Intake Block	EN AC 44100 Cast Marine Grade Aluminium	BS EN 1706
Intake Material	EN AC 44100 Cast Marine Grade Aluminium	BS EN 1706
Stator Material (without LEI)	EN AC 44100 Cast Marine Grade Aluminium	BS EN 1706
Nozzle Material	EN AC 44100 Cast Marine Grade Aluminium	BS EN 1706
Steering Deflector Material	EN AC 44100 Cast Marine Grade Aluminium	BS EN 1706
Astern Deflector Material	EN AC 44100 Cast Marine Grade Aluminium	BS EN 1706
Mainshaft Material	2205 Duplex Stainless Steel	ASTM 276
Wear Ring Material	2205 Duplex Stainless Steel	ASTM 240
Impeller Material	CF8M Cast Stainless Steel	ASTM A743



For TURBO2 Impeller Power curve contact HamiltonJet